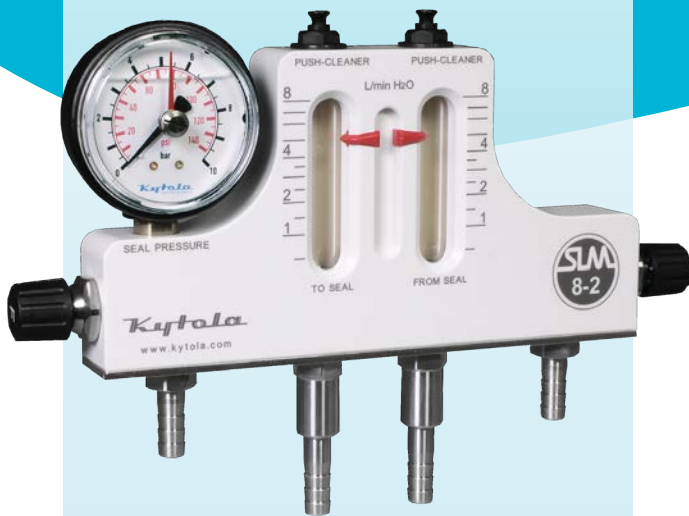


The KYTOLA® Seal Water Flow Meter Model SLM protects your seal and reduces downtime. Significant savings are achieved in maintenance and seal water costs.



- Reliable operation
- Solid construction
- Reduced seal maintenance
- Built-in cleaner does not interfere with operation
- Excellent corrosion and heat resistance
- All models alarm-ready
- Clear metering scale

ISO 9001 ISO 14001

SLM  
also available with  
local alarm light



## SEAL WATER FLOW METER SLM, SLMx-2

### FEATURES

- Clog resistant flow control valve
- Built-in tube cleaner
- Hose barb connectors
- Alternative connectors on request
- Mounting bracket

### SLM APPLICATIONS

- Single and double mechanical seals
- Gland packings
- Flush water
- Purging
- Other flow measurement

### SLMx-2 APPLICATIONS

- Double mechanical seals

## SLM Seal Water Flow Meter

Most pumps, agitators, refiners, screens etc. with shaft seals require an uninterrupted sealing water flow to ensure proper function of the seal.

The purpose of seal water is to:

- Cool the seal
- Lubricate the seal
- Prevent the process media from entering the seal chamber

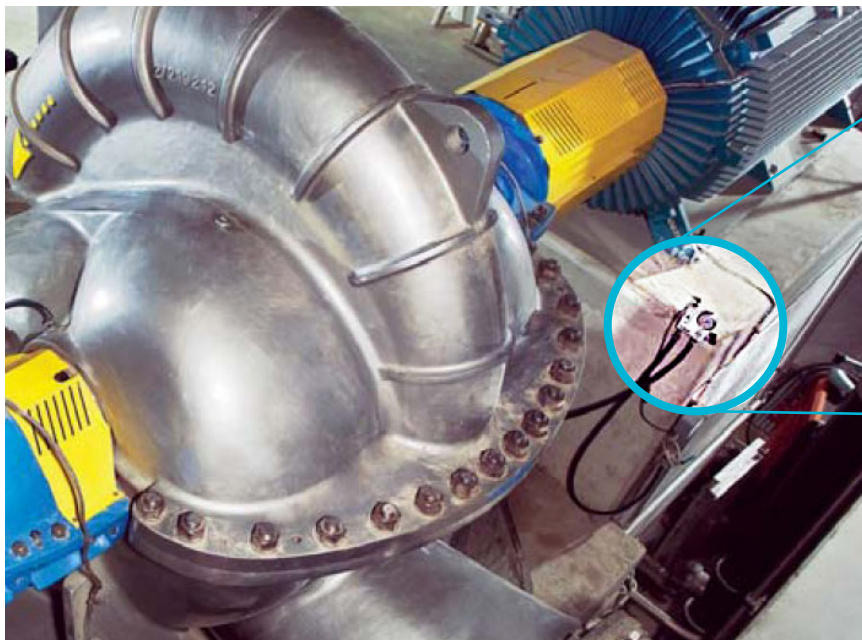
Also the seal condition can be determined by proper monitoring of the seal water flow and pressure.

### Stop pouring money into the drain

Adequate cooling and lubrication are essential for any kind of seal.

However, uncontrolled flow may multiply the necessary water and energy consumption. It is easy to create huge savings in costs by reducing excess water flow with accurate and proper adjustment of seal water flow and pressure.

The Kytola SLM Seal Water Flow Meter is especially designed for applications on pumps and mechanical seals in processes and applications where uninterrupted seal water flow is required.



### Innovative design offers durability and flexibility

The various Kytola seal water flow meter models guarantee compatibility with all seal types. The strong and compact design ensures maximum resistance to external impact.

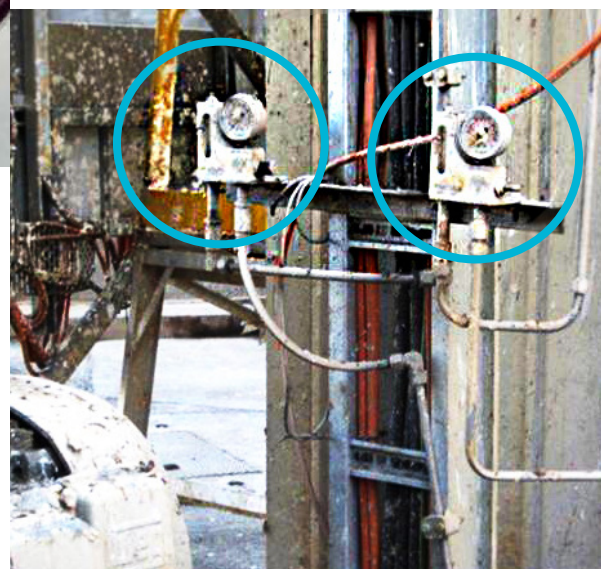
The SLM has been specially optimized to withstand contaminated water. Reliable and accurate flow measurement is based on a variable area metering principle using a free-floating float. The seal water flow meter can also be easily equipped with an alarm output by utilizing an inductive proximity sensor.



### Easy maintenance reduces down time

The built-in cleaner is designed not to interfere with operation. It effectively removes built-up contaminants.

The long, clear metering scale guarantees visibility and easy inspection of flow level.





## QUENCH SEALS

SLM



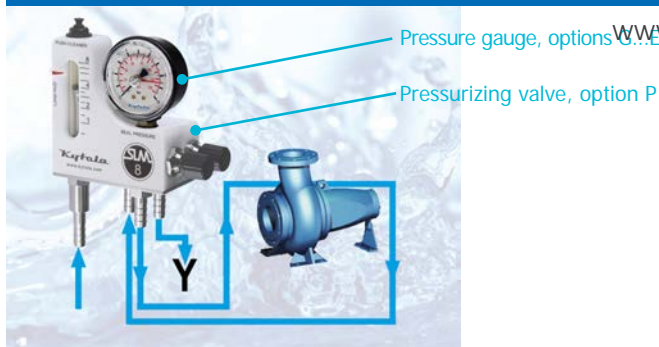
## SINGLE SEALS AND PACKINGS

SLM with pressure gauge



## DOUBLE MECHANICAL SEALS

SLM with pressure gauge and pressurizing valve



## DOUBLE MECHANICAL SEALS

DUAL SLM with pressure gauge



### SLM

### SLM

Range Code	Flow Rate	Adjustable Alarm Range	
	0.025 – 0.4 L/min	0.03 – 0.25 L/min	0.4
	0.05 – 1 L/min	0.1 – 0.55 L/min	1
	0.1 – 3 L/min	0.4 – 2 L/min	3
	0.5 – 8.0 L/min	1 – 5 L/min	8
	1 – 13 L/min	2 – 9 L/min	13
	0.25 – 6 USGPH	0.5 – 4 USGPH	6
	1 – 15 USGPH	1.5 – 9 USGPH	15
	2 – 50 USGPH	6 – 35 USGPH	50
	0.1 – 2 USGPM	0.25 – 1.2 USGPM	2
	0.25 – 3.5 USGPM	0.5 – 2.5 USGPM	35

#### Optional Accessories

Inductive prox. sensor 20 – 250 VAC/DC	A
Inductive prox. sensor 10 – 55 VDC	F
Intrinsically safe NAMUR sensor	I
Intrinsically safe NAMUR sensor for SLM13 and SLM35	Q
Pressure gauge 0 – 10 bar	G
Pressure gauge 0 – 25 bar	E
Standard POM body with optional borosilicate glass flow tube (instead of standard PSU tube)	L
Optional PVDF body (with borosilicate glass flow tube)	K
Optional PVDF body (with PSU flow tube)	KM
Pressurizing valve	P
Floor mounting stand	S

#### Connectors

10 mm hose barb connectors, standard	leave blank
10 mm straight tube connectors for compression fittings	R
3/8" straight tube connectors for compression fittings	N
Other connection choices available on request	

**Example: SLM3-AGP** (= Flow rate 0.1 – 3 L/min, alarm range 0.4–2 L/min, inductive prox. sensor 20–250 VAC/DC, pressure gauge 0–10 bar, pressurizing valve, 10 mm hose barb connectors)

### DUAL SLM

### SLM

Range Code	Flow Rate	Adjustable Alarm Range	
	0.05 – 1 L/min	0.1 – 0.55 L/min	1
	0.1 – 3 L/min	0.4 – 2 L/min	3
	0.5 – 8 L/min	1 – 5 L/min	8
	1 – 15 USGPH	1.5 – 9 USGPH	15
	2 – 50 USGPH	6 – 35 USGPH	50
	0.1 – 2.0 USGPM	0.25 – 1.2 USGPM	2

#### Optional Accessories

Inductive prox. sensor 20 – 250 VAC/DC	A
Two inductive prox. sensors 20 – 250 VAC/DC	AA
Inductive prox. sensor 10 – 55 VDC	F
Two inductive prox. sensors 10 – 55 VDC	FF
Intrinsically safe NAMUR sensor, 10 mm range	I
Two intrins. safe NAMUR sensors, 10 mm range	II
Pressure gauge 0 – 10 bar	G
Pressure gauge 0 – 25 bar	E
Standard POM body with optional borosilicate glass flow tube (instead of standard PSU tube)	L
Optional PVDF body (with borosilicate glass flow tube)	K
Optional PVDF body (with PSU flow tube)	KM
Floor mounting stand	S

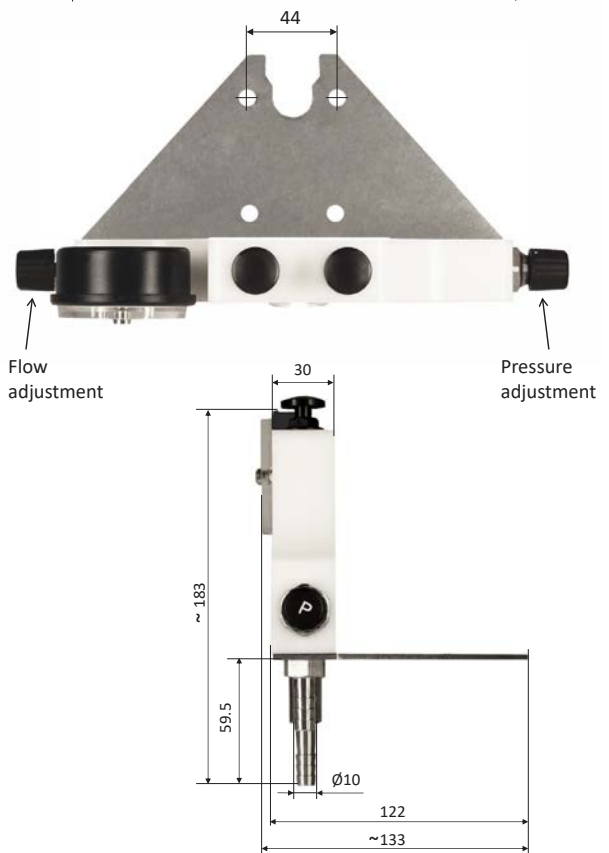
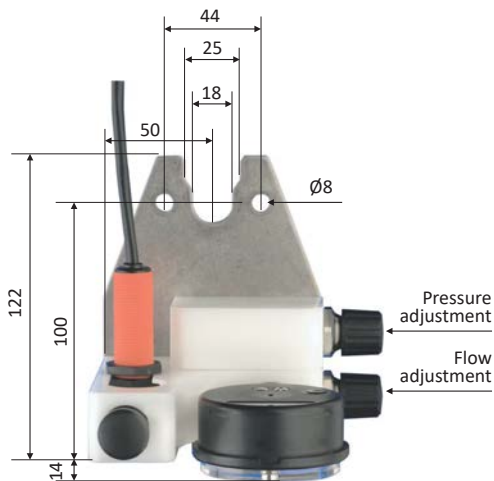
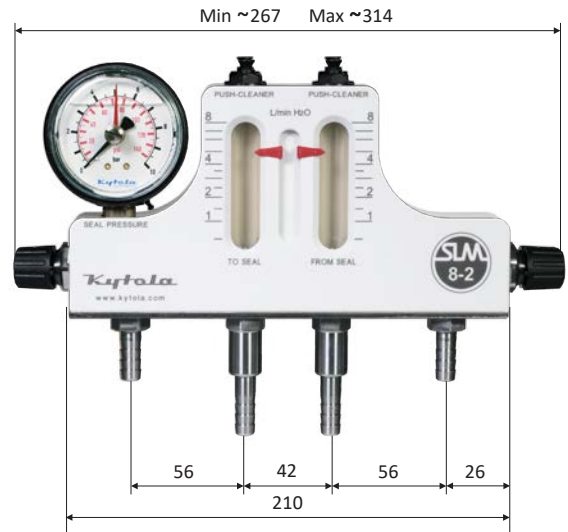
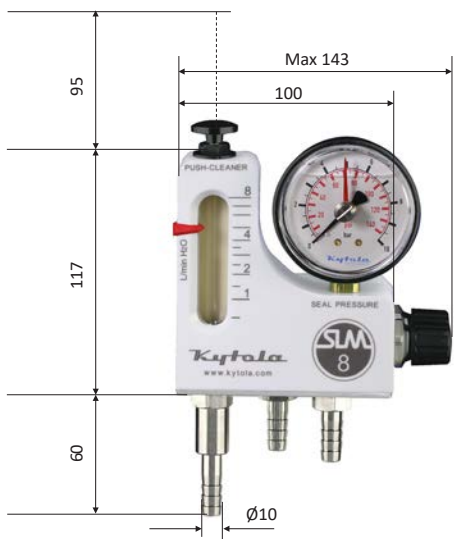
#### Connectors

10 mm hose barb connectors, standard	leave blank
10 mm straight tube connectors for compression fittings	R
3/8" straight tube connectors for compression fittings	N
Other connection choices available on request	

**Example: SLM8-2-AAG** (= Flow rate 0.5 – 8 L/min, alarm range 1–5 L/min, two inductive prox. sensors 20–250 VAC/DC, pressure gauge 0–10 bar, 10 mm hose barb connectors)

## Models SLM, SLMx-2

Body material	POM (PVDF optional material, code "K")
Flow tube	PSU with standard POM body (optional borosilicate glass tube, code "L") or borosilicate glass tube with PVDF body, material code "K" (optional PSU tube, code "KM")
Metallic parts	AISI 316, float AISI 329
O-ring seals	Viton®
Max. pressure	20 bar
Max. temperature	100°C
Connectors	3/8" (10 mm) hose barb connectors
Weight	1.2 kg (SLM), 2.4 kg (SLMx-2) incl. package, pressure gauge, pressurizing valve



All measures in millimetres if not stated otherwise. Copyright © Kytola Instruments Oy 2021. Dimensions and measurements are given within normal tolerances. Manufacturer reserves the right to changes without prior notification. File SLM\_es47\_en Published 12/2022.